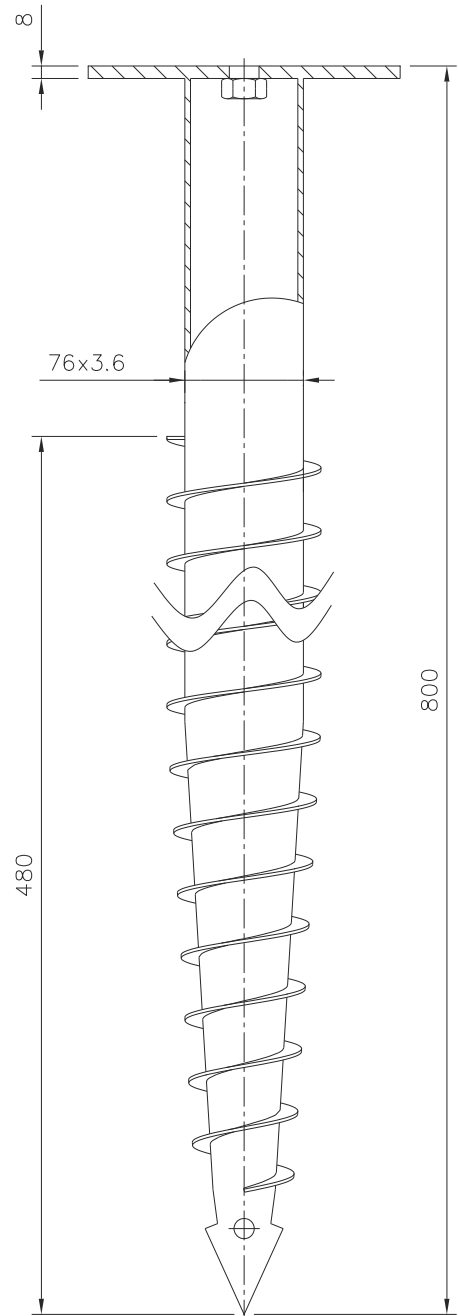
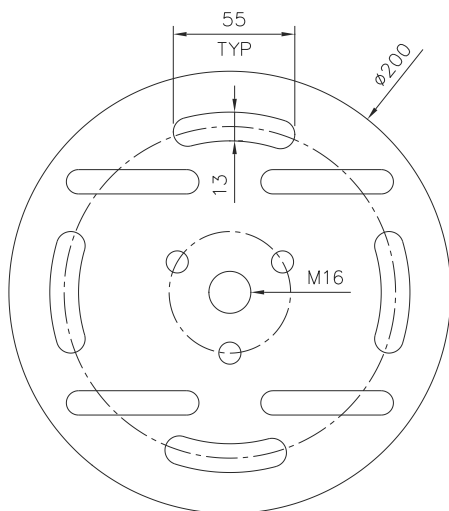


Technical Data Sheet

RDX PRO RF200 M16 76x800-T3.6



Load Capacity	13.5 kN *
Overall Length	800mm
Weight	7.8 kg ($\pm 8\%$)
Materials	<p>Tube</p> <ul style="list-style-type: none">• 76.1 x 3.6 x 792mm• Continuous Weld Helix• Grade S235 <p>Flange</p> <ul style="list-style-type: none">• 200mm Diameter x 8mm Thick• Grade S275 <p>Helix</p> <ul style="list-style-type: none">• 12mm Depth• 40mm ± 2 Pitch• 2mm Thick
Anchor	M16 Captive Nut
Surface	Hot-dip galvanized Steel, according to DIN EN ISO 1461



Subject to technical change

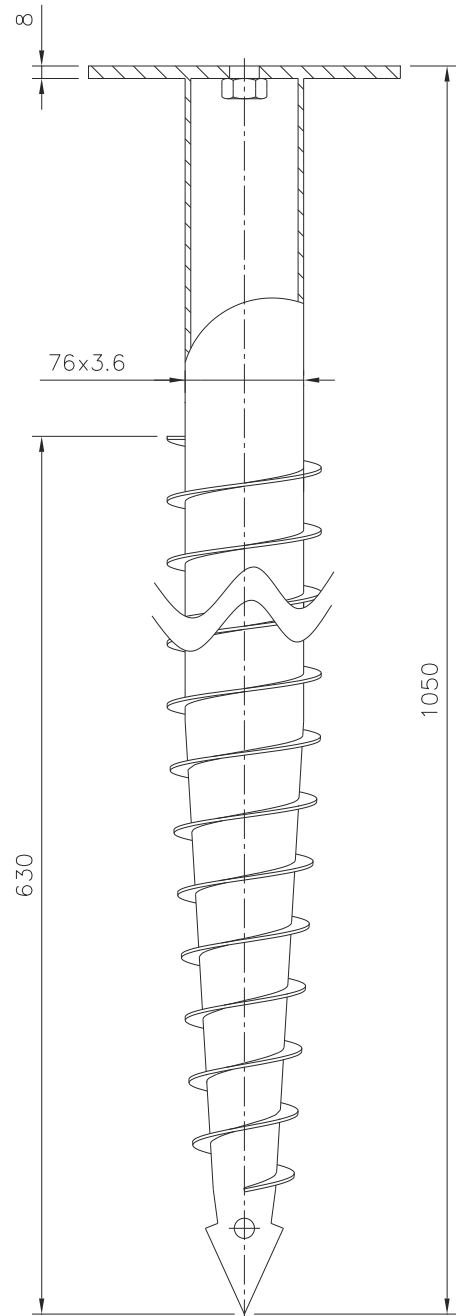
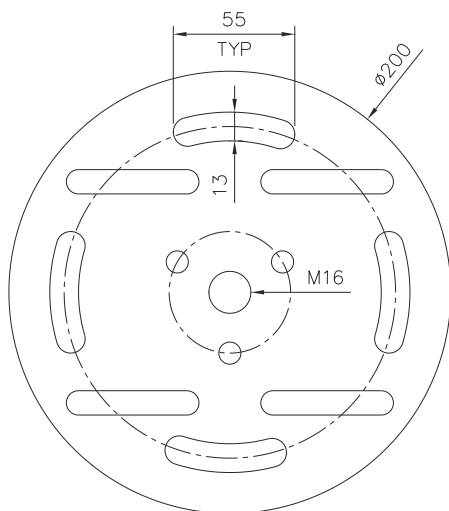
* Load capacity is determined in soil type, semi-solid loam; Elastic Modulus – 15Mpa, Friction Angle – 20deg, Cohesion – 100kPa, Density 1400kg/m³. Stated capacity is reduced by a Factor of Safety (FOS) of two. RADIX Ground Screws must be selected based on static calculations and results of site specific ground test. The manufacturer is not liable for damage caused by insufficient or incorrect selection of ground screws.

Technical Data Sheet

RDX PRO RF200 M16 76x1050-T3.6



Load Capacity	16.5 kN *
Overall Length	1050mm
Weight	9.9 kg ($\pm 8\%$)
Materials	<p>Tube</p> <ul style="list-style-type: none">• 76.1 x 3.6 x 1042mm• Continuous Weld Helix• Grade S235 <p>Flange</p> <ul style="list-style-type: none">• 200mm Diameter x 8mm Thick• Grade S275 <p>Helix</p> <ul style="list-style-type: none">• 12mm Depth• 40mm ± 2 Pitch• 2mm Thick
Anchor	M16 Captive Nut
Surface	Hot-dip galvanized Steel, according to DIN EN ISO 1461



Subject to technical change

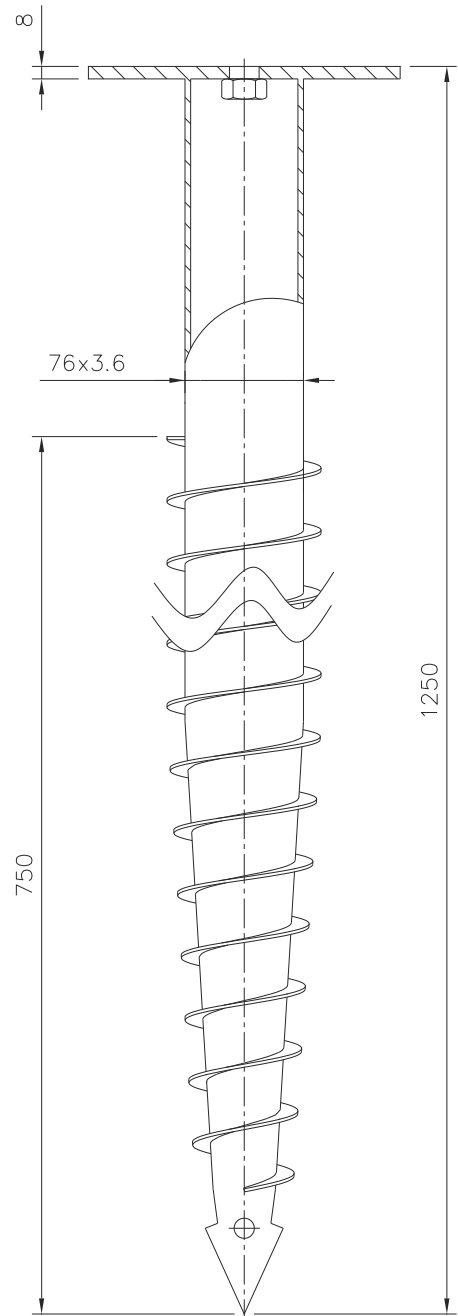
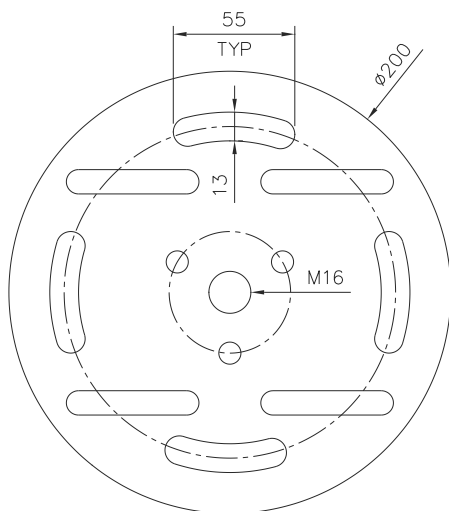
* Load capacity is determined in soil type, semi-solid loam; Elastic Modulus – 15Mpa, Friction Angle – 20deg, Cohesion – 100kPa, Density 1400kg/m³. Stated capacity is reduced by a Factor of Safety (FOS) of two. RADIX Ground Screws must be selected based on static calculations and results of site specific ground test. The manufacturer is not liable for damage caused by insufficient or incorrect selection of ground screws.

Technical Data Sheet

RDX PRO RF200 M16 76x1250-T3.6



Load Capacity	25 kN *
Overall Length	1250mm
Weight	11.5 kg ($\pm 8\%$)
Materials	<p>Tube</p> <ul style="list-style-type: none">• 76.1 x 3.6 x 1242mm• Continuous Weld Helix• Grade S235 <p>Flange</p> <ul style="list-style-type: none">• 200mm Diameter x 8mm Thick• Grade S275 <p>Helix</p> <ul style="list-style-type: none">• 12mm Depth• 40mm ± 2 Pitch• 2mm Thick
Anchor	M16 Captive Nut
Surface	Hot-dip galvanized Steel, according to DIN EN ISO 1461



Subject to technical change

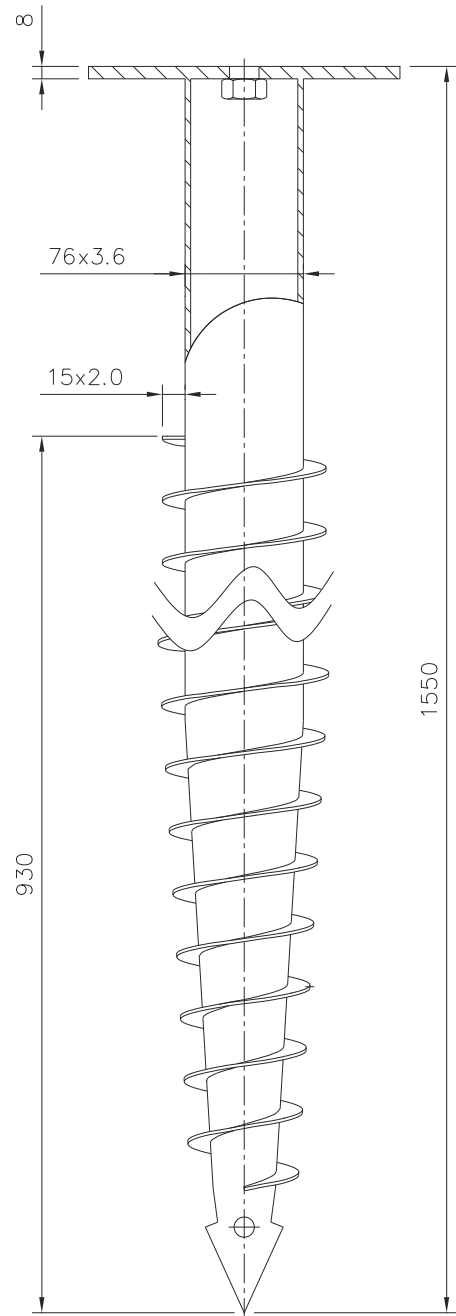
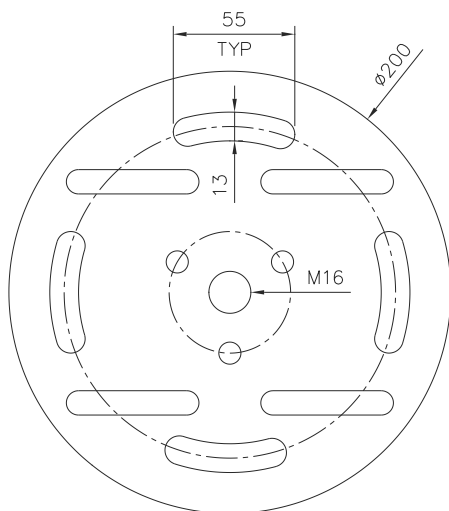
* Load capacity is determined in soil type, semi-solid loam; Elastic Modulus – 15Mpa, Friction Angle – 20deg, Cohesion – 100kPa, Density 1400kg/m³. Stated capacity is reduced by a Factor of Safety (FOS) of two. RADIX Ground Screws must be selected based on static calculations and results of site specific ground test. The manufacturer is not liable for damage caused by insufficient or incorrect selection of ground screws.

Technical Data Sheet

RDX PRO RF200 M16 76x1550-T3.6



Load Capacity	35 kN *
Overall Length	1550mm
Weight	14.6 kg ($\pm 8\%$)
Materials	<p>Tube</p> <ul style="list-style-type: none">• 76.1 x 3.6 x 1544mm• Continuous Weld Helix• Grade S235 <p>Flange</p> <ul style="list-style-type: none">• 200mm Diameter x 8mm Thick• Grade S275 <p>Helix</p> <ul style="list-style-type: none">• 15mm Depth• 40mm ± 2 Pitch• 2mm Thick
Anchor	M16 Captive Nut
Surface	Hot-dip galvanized Steel, according to DIN EN ISO 1461



Subject to technical change

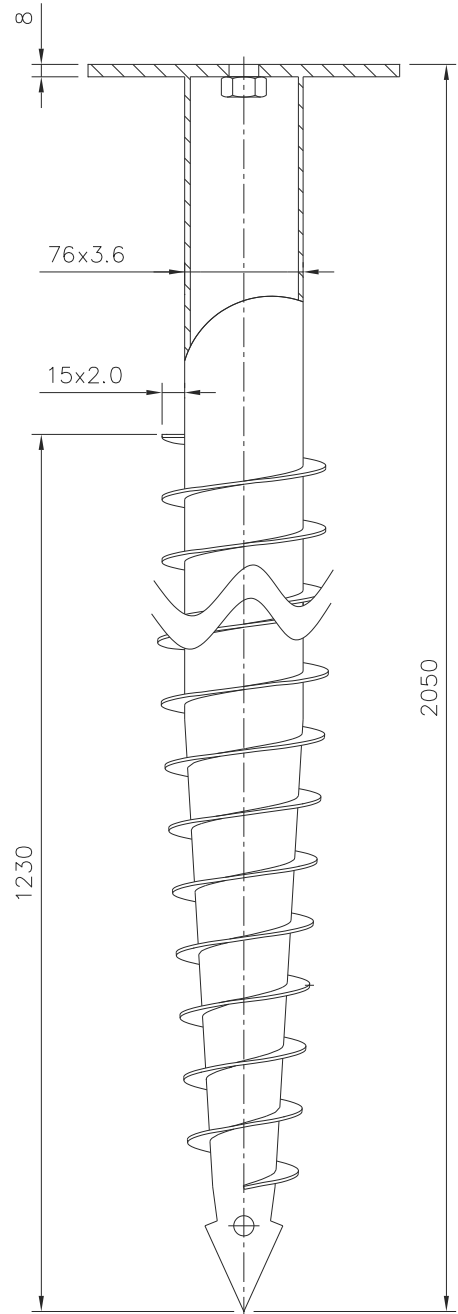
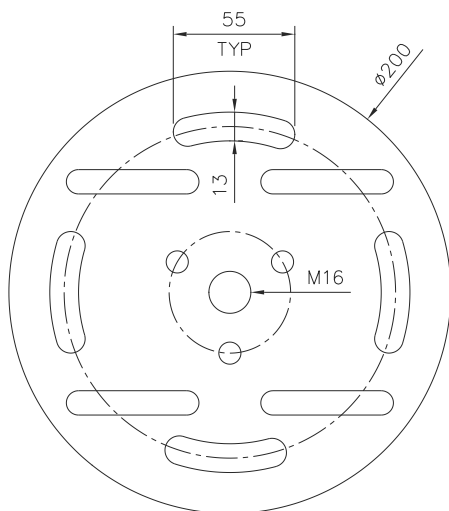
* Load capacity is determined in soil type, semi-solid loam; Elastic Modulus – 15Mpa, Friction Angle – 20deg, Cohesion – 100kPa, Density 1400kg/m³. Stated capacity is reduced by a Factor of Safety (FOS) of two. RADIX Ground Screws must be selected based on static calculations and results of site specific ground test. The manufacturer is not liable for damage caused by insufficient or incorrect selection of ground screws.

Technical Data Sheet

RDX PRO RF200 M16 76x2050-T3.6



Load Capacity	45 kN *
Overall Length	2050mm
Weight	18.7 kg ($\pm 8\%$)
Materials	<p>Tube</p> <ul style="list-style-type: none">• 76.1 x 3.6 x 2044mm• Continuous Weld Helix• Grade S235 <p>Flange</p> <ul style="list-style-type: none">• 200mm Diameter x 6mm Thick• Grade S275 <p>Helix</p> <ul style="list-style-type: none">• 15mm Depth• 40mm ± 2 Pitch• 2mm Thick
Anchor	M16 Captive Nut
Surface	Hot-dip galvanized Steel, according to DIN EN ISO 1461



Subject to technical change

* Load capacity is determined in soil type, semi-solid loam; Elastic Modulus – 15Mpa, Friction Angle – 20deg, Cohesion – 100kPa, Density 1400kg/m³. Stated capacity is reduced by a Factor of Safety (FOS) of two. RADIX Ground Screws must be selected based on static calculations and results of site specific ground test. The manufacturer is not liable for damage caused by insufficient or incorrect selection of ground screws.