

Technical Data Sheet

RDX EXT V3 RF220 M20 89-T5.6 FLANGE



Load Capacity N/A*

Overall Length 212mm

Weight 5.5 kg ($\pm 8\%$)

Materials

Tube (Main)

- 89 x 5.6 x 100mm
- Grade S235

Tube (Connector)

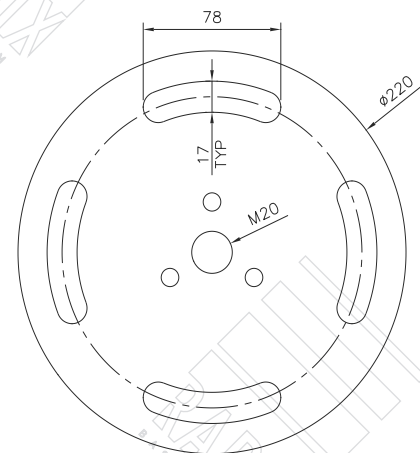
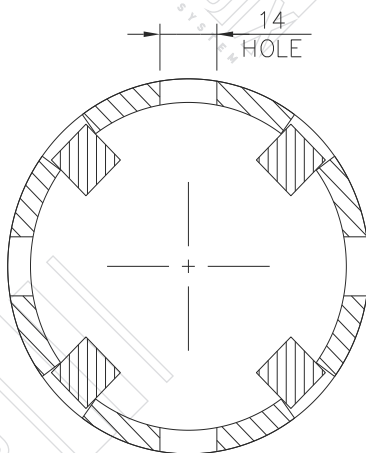
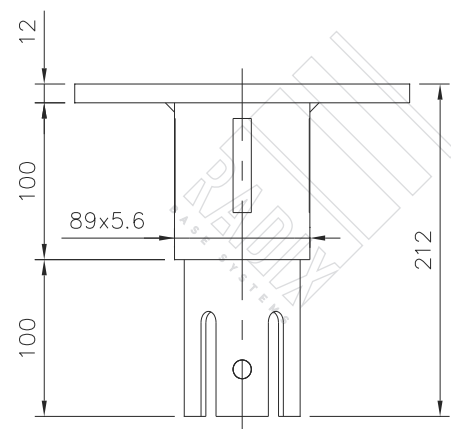
- 76 x 6.0 x 200mm
- Grade S235
- 4 No. M12x25 Bolts

Flange

- 220mm Diameter x 12mm Thick
- Grade S275

Surface

Hot-dip galvanized Steel,
according to DIN EN ISO 1461



Subject to technical change

* Load capacity is determined in soil type, semi-solid loam; RADIX Ground Screws must be selected based on static calculations and results of site specific ground test. The manufacturer is not liable for damage caused by insufficient or incorrect selection of ground screws.